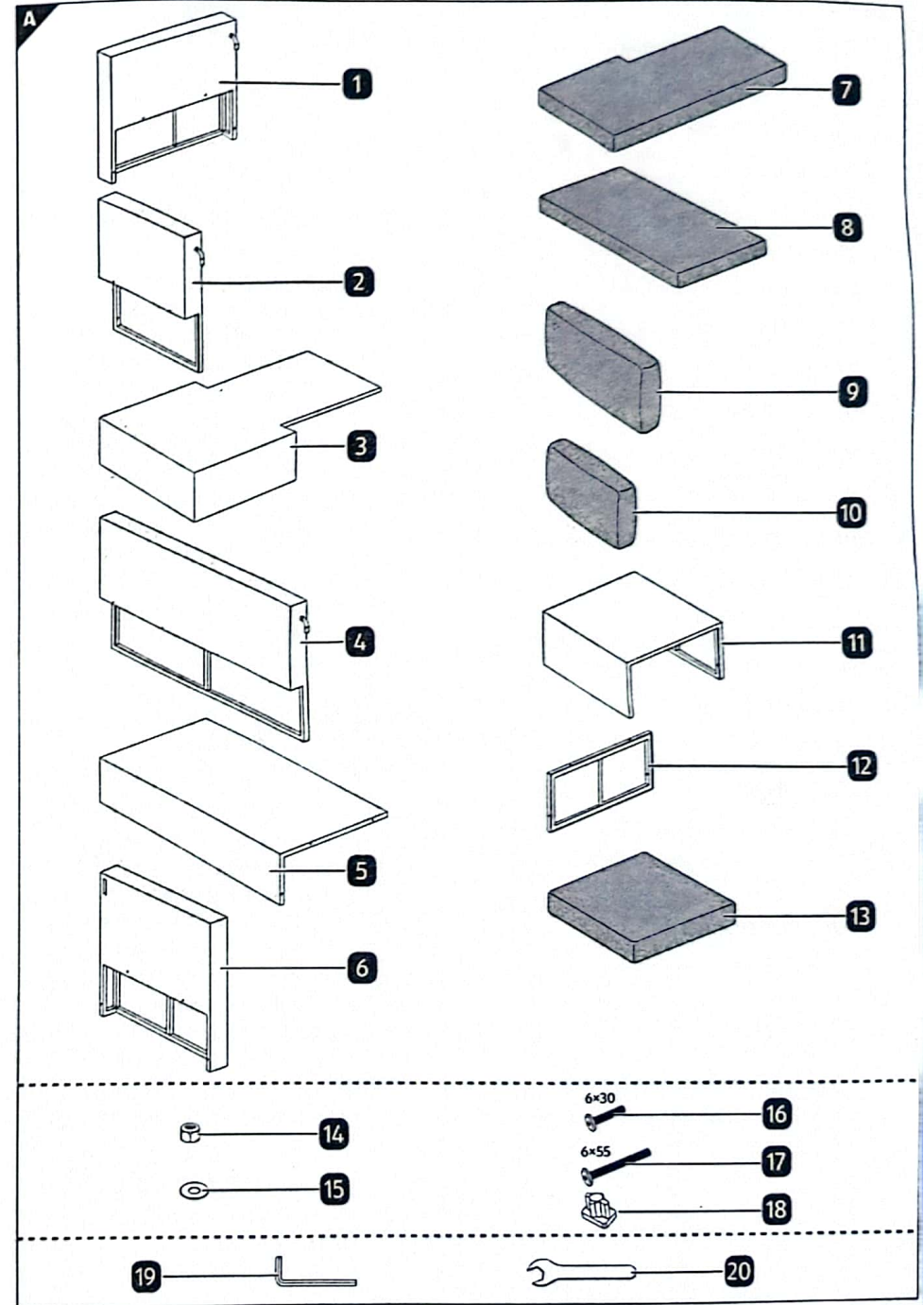


# Contents

- Package contents** ..... 3
  - Components ..... 4
  - Connecting elements supplied ..... 4
  - Tools supplied ..... 4
- General information** ..... 5
  - Reading and storing the assembly instructions ..... 5
  - Proper use ..... 5
  - Explanation of symbols ..... 5
- Safety** ..... 5
  - Signal symbol/word definitions ..... 5
  - General safety instructions ..... 5
- Preparation** ..... 6
  - Checking the rattan sofa set and the package contents ..... 6
- Assembly of the rattan sofa set** ..... 6
  - Assembling sitting arrangement 1 ..... 6
  - Assembling sitting arrangement 2 ..... 7
  - Assembling the stool/table ..... 8
- Cleaning and maintenance** ..... 8
- Storage** ..... 8
- Technical data** ..... 8
- Disposal** ..... 8
  - Disposing of the packaging ..... 8
  - Disposing of the rattan sofa set ..... 8
- Assembly** ..... 9
  - Assembly of sitting arrangement 1 ..... 9
  - Assembly of sitting arrangement 2 ..... 12
  - Assembly of the stool/table ..... 15

# Package contents



Dok./Rev.-Nr.

# IMPORTANT, RETAIN FOR FUTURE REFERENCE: READ CAREFULLY

## General information Reading and storing the assembly instructions



These assembly instructions accompany this rattan effect corner set (hereinafter referred to only as rattan sofa set). They contain important information about safety, use and care.

Before assembling and using the rattan sofa set, read the assembly instructions carefully. This particularly applies to the safety instructions. Failure to follow the instructions in these assembly instructions may result in serious injury or damage to the rattan sofa set.

The assembly instructions are based on the standards and rules in force in the United Kingdom and in the European Union. When abroad, you must also observe country-specific guidelines and laws.

Store the assembly instructions for further use. Make sure to include these assembly instructions when passing the product on to third parties.

### Proper use

The rattan sofa set is exclusively designed for sitting and for use in outdoor living areas e.g. on the balcony, patio or garden. It is only intended for private domestic use and not suitable for commercial purposes.

Only use the rattan sofa set as described in these assembly instructions. Any other use is considered improper and may result in damage to property or persons. The rattan sofa set is not a children's toy. The manufacturer or vendor cannot be held liable for damages or injury incurred through improper or incorrect use.

### Explanation of symbols

The following symbols and signal words are used in these assembly instructions, on the rattan sofa set or on the packaging.



This symbol provides you with useful additional information on assembly or use.



Do not wash.



The pillow covers and seat covers are not suitable for bleaching.



The pillow covers and seat covers are not suitable for being dried in a tumble dryer.



The pillow covers and seat covers are not suitable for ironing.



The pillow covers and seat covers are not suitable for dry cleaning.



The filling material(s) and covering fabric(s) meet the requirements for resistance to cigarette and match ignition in the 1988 safety regulations.

## Safety

### Signal symbol/word definitions

The following symbols and signal words are used in these assembly instructions.



**WARNING!**

This signal symbol/word designates a hazard with moderate risk, which may result in death or severe injury if not avoided.



**NOTICE!**

This signal word warns of possible damage to property.

### General safety instructions



**WARNING!**

-Do not allow children to play with the packaging wrapper. Children may get caught in it when playing and suffocate.

**NOTICE!****Risk of damage!**

Improper handling of the rattan sofa set may damage it.

– Place the rattan sofa set on an easily accessible, level, dry, heat-resistant and sufficiently stable surface.

– Keep the rattan sofa set away from open flames (e.g. a camp fire, etc.).

– Never place the rattan sofa set on or near hot surfaces (e.g. fireplace, camp fire, etc.).

– Never expose the rattan sofa set to high temperatures (fireplace, camp fire, etc.) or severe cold.

– Cover the rattan sofa set overnight and when not in use for extended periods.

– Store the seat cushions and pillows in a dry place overnight and when not in use for extended periods. Do not store outside.

– Never attempt to clean the rattan sofa set by immersing it in water and do not use a steam cleaner to clean it. Otherwise the rattan sofa set could be damaged.

– Stop using the rattan sofa set if the components of the rattan sofa set exhibit cracks or breaks or are deformed. Only replace damaged parts with corresponding original spare parts.

**Preparation****Checking the rattan sofa set and the package contents****NOTICE!****Risk of damage!**

If you are not cautious when opening the packaging with a sharp knife or other pointed object, you may quickly damage the rattan sofa set.

– For this reason, be very careful when opening it.

1. Take the individual parts of the rattan sofa set out of the packaging.

2. Check to make sure that all parts are included (see Fig. A.)

3. Check whether the individual parts of the rattan sofa set exhibit any damage. If this is the case, do not assemble or use the rattan sofa set. Contact the manufacturer via the service address specified on the warranty card.

**Assembly of the rattan sofa set**

– Use the following enclosed tools to assemble the rattan sofa set (see Fig. B):

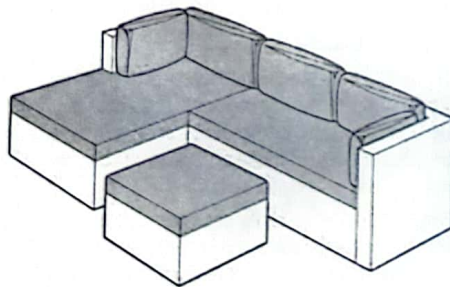
Open-ended spanner **20** (x1),

Hex key **19** (x1).

– Follow the instructions below and the graphics in the chapter Assembly to assemble the rattan sofa set.

– The enclosed tools are suitable for pre-assembly. It is recommended to use professional tools.

– During assembly, make sure there is enough space so you can move freely in all directions. Familiarise yourself with the individual parts shown before beginning assembly.

**Assembling sitting arrangement 1**

1. Hook the right armrest **1** into the backrest for the corner element **2**. Place the hexagon socket screws (6 x 55) **17**, the washers **15** and the hexagon nuts **14** at the points shown (see **Assembly of sitting arrangement 1, step 1**). Use the open-ended spanner **20** and the hex key **19** to tighten the hexagon socket screws.

2. Arrange the seat for the corner element **3** up against the right armrest and the backrest for the corner element. Place the hexagon socket screws (6 x 55), the washers and the hexagon nuts at the points shown (see **Assembly of sitting arrangement 1, step 2**.) Use the open-ended spanner and the hex key to tighten the hexagon socket screws.

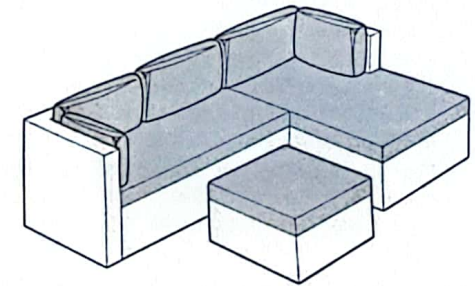
3. Hook the backrest for the sofa **4** into the left armrest **6**. Place the hexagon socket screws (6 x 55), the washers and the hexagon nuts at the points shown (see **Assembly of sitting arrangement 1, step 3**). Use the open-ended spanner and the hex key to tighten the hexagon socket screws.

4. Arrange the seat for the sofa **5** up against the backrest for the sofa and the left armrest. Place the hexagon socket screws (6 x 55), the washers and the hexagon nuts at the points shown. Insert the plastic plug **18** into the unused connection hole (see **Assembly of sitting arrangement 1, step 4**.) Use the open-ended spanner and the hex key to tighten the hexagon socket screws.

5. Connect the parts assembled in steps 1 + 2 and steps 3 + 4. Place the hexagon socket screws (6 x 55), the washers and the hexagon nuts at the points shown. Insert the plastic plug **18** into the unused connection hole (see **Assembly of sitting arrangement 1, step 5**). Use the open-ended spanner and the hex key to tighten the hexagon socket screws.

6. Set up the rattan sofa set in a level position. Place the seat cushion for the corner element **7** and the seat cushion for the sofa **8** on the rattan sofa set (see **Assembly of sitting arrangement 1, step 6**.)

7. Place the pillows for the backrests **9** and the pillows for the armrests **10** on the rattan sofa set (see **Assembly of sitting arrangement 1, step 7**.)

**Assembling sitting arrangement 2**

1. Hook the backrest for the corner element **2** into the left armrest **6**. Place the hexagon socket screws (6 x 55) **17**, the washers **15** and the hexagon nuts **14** at the points shown (see **Assembly of sitting arrangement 2, step 1**). Use the open-ended spanner **20** and the hex key **19** to tighten the hexagon socket screws.

2. Place the seat for the corner element **3** up against the backrest for the corner element and the left armrest. Place the hexagon socket screws (6 x 55), the washers and the hexagon nuts at the points shown (see **Assembly of sitting arrangement 2, step 2**). Use the open-ended spanner and the hex key to tighten the hexagon socket screws.

3. Hook the right armrest **1** into the backrest for the sofa **4**. Place the hexagon socket screws (6 x 55), the washers and the hexagon nuts at the points shown. (see **Assembly of sitting arrangement 2, step 3**.) Use the open-ended spanner and the hex key to tighten the hexagon socket screws.

4. Place the seat for the sofa **5** up against the right armrest and the backrest for the sofa. Place the hexagon socket screws (6 x 55), the washers and the hexagon nuts at the points shown. Insert the plastic plug **18** into the unused connection hole (see **Assembly of sitting arrangement 2, step 4**.) Use the open-ended spanner and the hex key to tighten the hexagon socket screws.

5. Connect the parts assembled in steps 1 + 2 and steps 3 + 4. Place the hexagon socket screws (6 x 55), the washers and the hexagon nuts at the points shown. Insert the plastic plug **18** into the unused connection hole (see **Assembly of sitting arrangement 2, step 5**.)

Use the open-ended spanner and the hex key to tighten the hexagon socket screws.

- Set up the rattan sofa set in a level position. Place the seat cushion for the corner element **7** and the seat cushion for the sofa **8** on the rattan sofa set (see **Assembly of sitting arrangement 2, step 6**.)
- Place the pillows for the backrests **9** and the pillows for the armrests **10** on the rattan sofa set (see **Assembly of sitting arrangement 2, step 7**.)

### Assembling the stool/table

- Insert the side panels for the stool/table **12** into the frame for the stool/table **11** (see **Assembly of the stool/table, step 1**.)
- Turn the frame for the stool/table on its side. Place the hexagon socket screws (6 x 30) **16** and the washers **15** at the points shown (see **Assembly of the stool/table, step 2**). Tighten the hexagon socket screws with the hex key **19**.
- Turn the frame for the stool back into a level position.
- If you would like to use the frame as a stool, put the seat cushion for the stool/table **13** on it (see **Assembly of the stool/table, step 3**.)

### Cleaning and maintenance

#### NOTICE!

#### Risk of damage!

Handling the rattan sofa set improperly can result in damage.

- Do not use any aggressive cleaners, brushes with metal or nylon bristles or sharp or metallic cleaning utensils such as knives, hard scrapers or similar. They could damage the surfaces.
  - Do not use a steam cleaner to clean them.
- Use a damp cloth to wipe off the rattan sofa set.
  - Then let the rattan sofa set dry off completely.
  - Clean the pillow and seat covers as described on the care label.



Always protect the pillows and cushions from rain and moisture. They are not suitable to be used in a wet environment.

### Storage

All parts must be completely dry before being stored.

- Always store the rattan sofa set in a dry place.
- Always store the pillows and cushions in a dry place and protect them from moisture.
- Protect the rattan sofa set from direct sunlight.
- Store the rattan sofa set so that it is not accessible to children, securely locked away and at a storage temperature between +5 °C and +20 °C (room temperature).

### Technical data

Model:	RATTAN EFFECT CORNER SET
Weight:	approx. 38.4kg
Dimensions (W x D x H)	
Rattan sofa set:	2,010 x 1,420 x 630 mm
Stool/table:	680 x 640 x 300 mm
Material	
Pillow and seat covers:	100 % polyester
Pillow and seat infill:	Polyester fiber batting
Sofa:	PE-Rattan
Product code:	718223, 718224, 718225

### Disposal

#### Disposing of the packaging



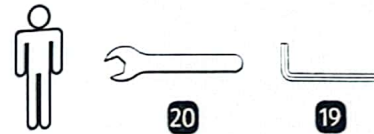
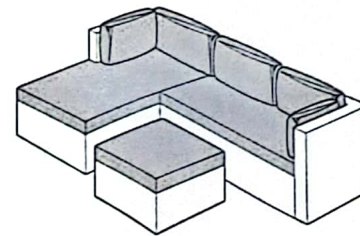
Sort the packaging before you dispose of it. Dispose of paperboard and cardboard with the recycled paper service and wrappings with the appropriate collection service.

#### Disposing of the rattan sofa set

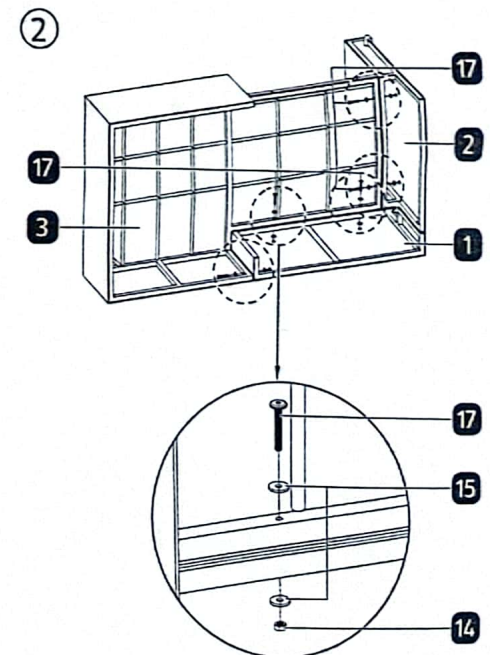
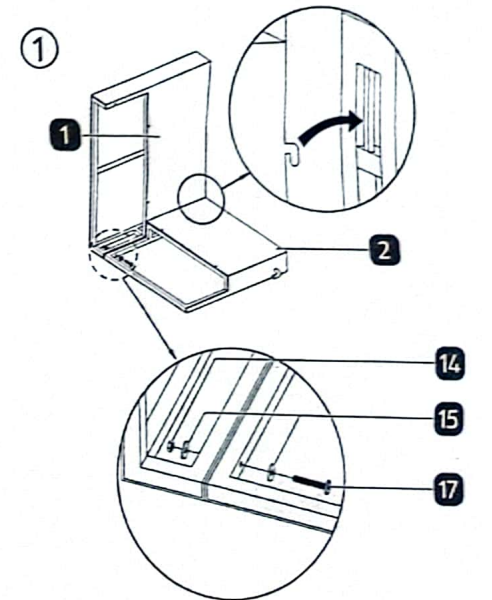
Dispose of the rattan sofa set in accordance with the applicable laws and regulations for your country.

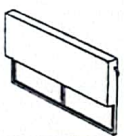
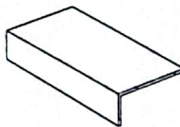





### Assembly

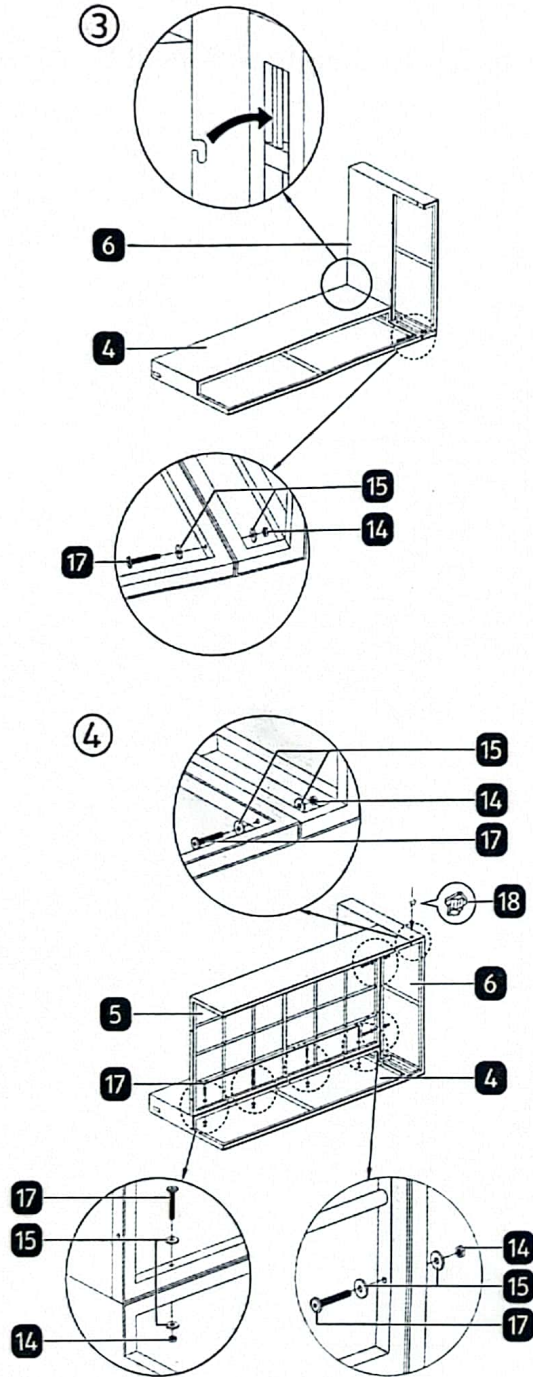
#### Assembly of sitting arrangement 1











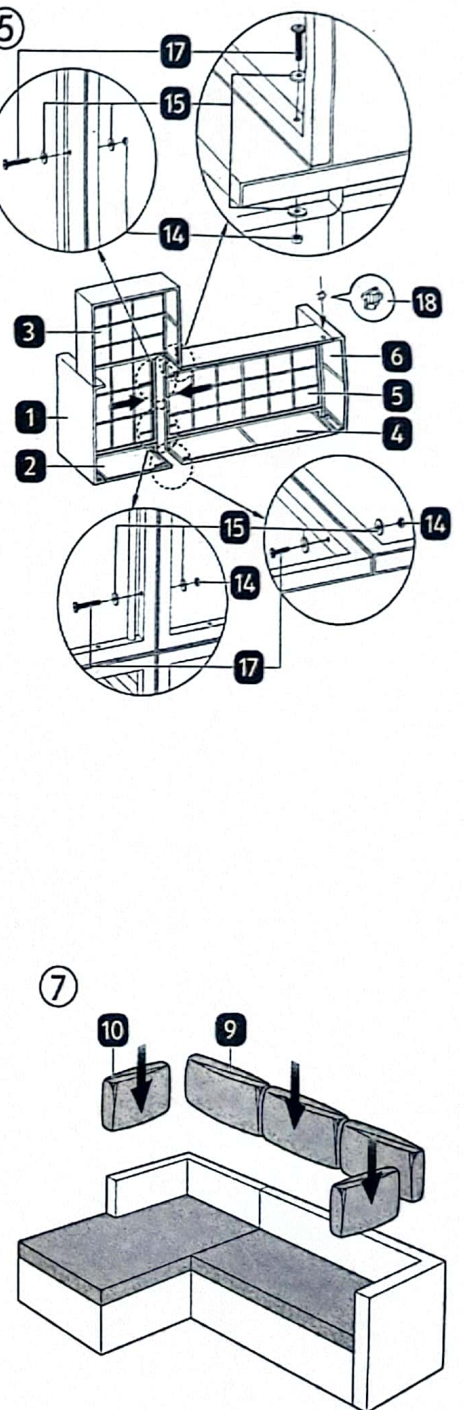
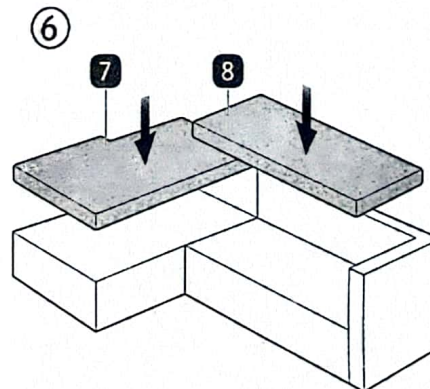
1 + 2	
<b>1</b>	x1
<b>2</b>	x1
<b>3</b>	x1
<b>17</b>	6 x 55, x6
<b>15</b>	x12
<b>14</b>	x6



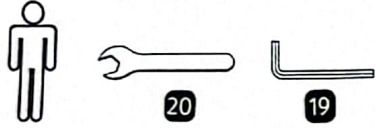
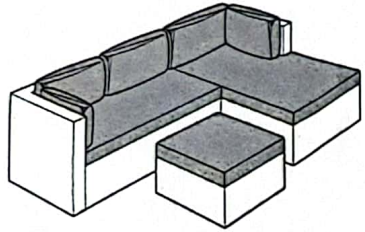
3+4	
4	 x1
5	 x1
6	 x1
18	 x1
17	 6 x 55, x8
15	 x16
14	 x8



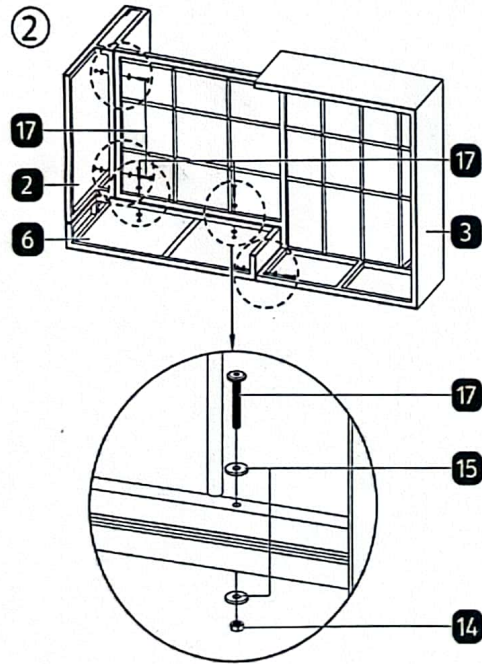
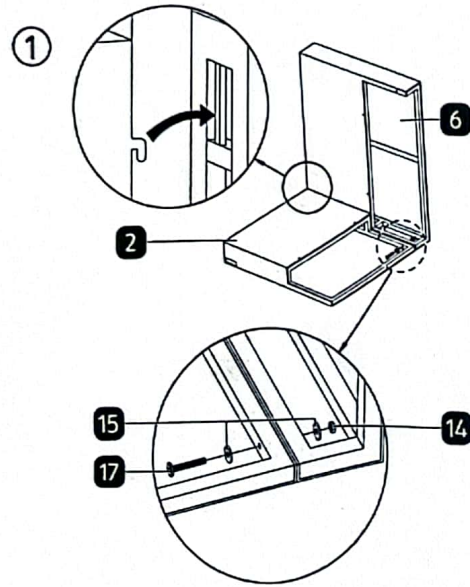
5+6+7	
17	 6 x 55, x4
15	 x8
14	 x4
18	 x1
7	 x1
8	 x1
9	 x3
10	 x2



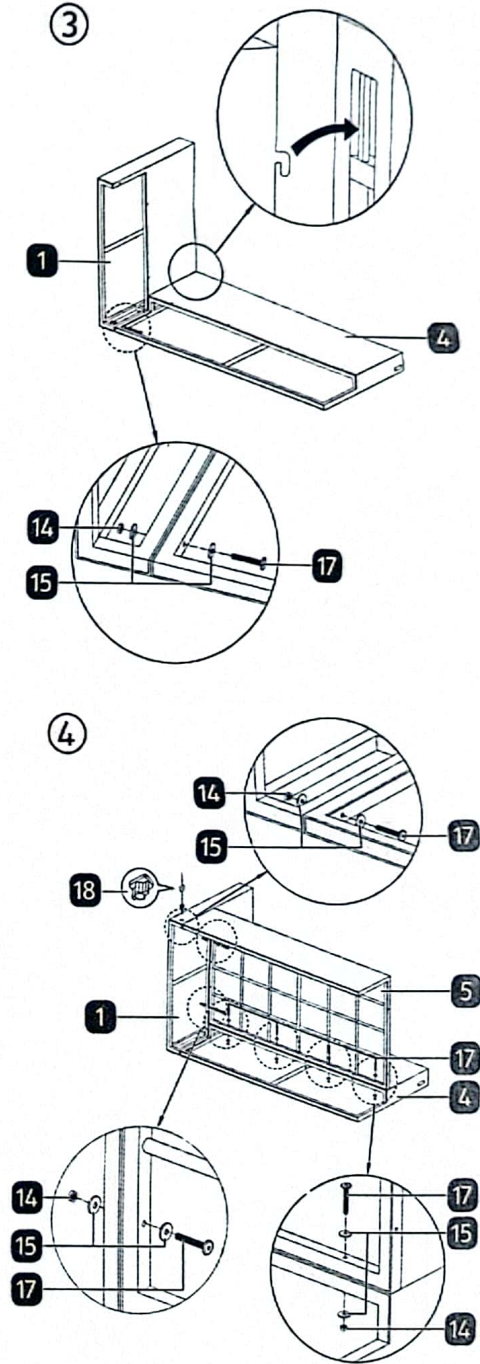
### Assembly of sitting arrangement 2



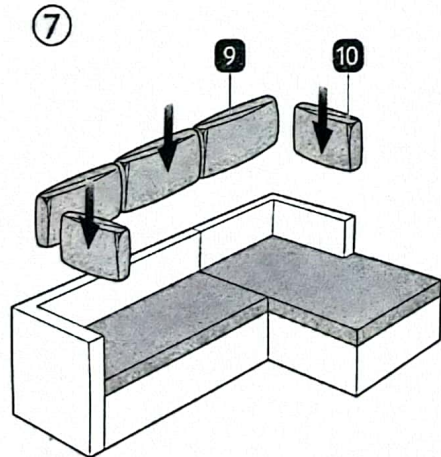
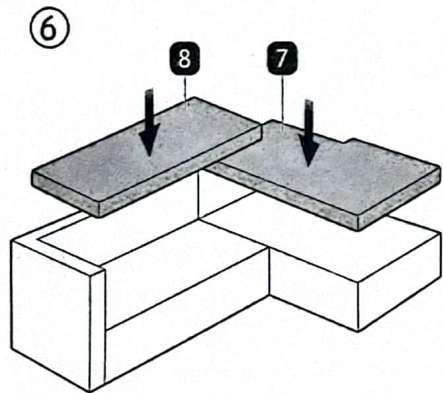
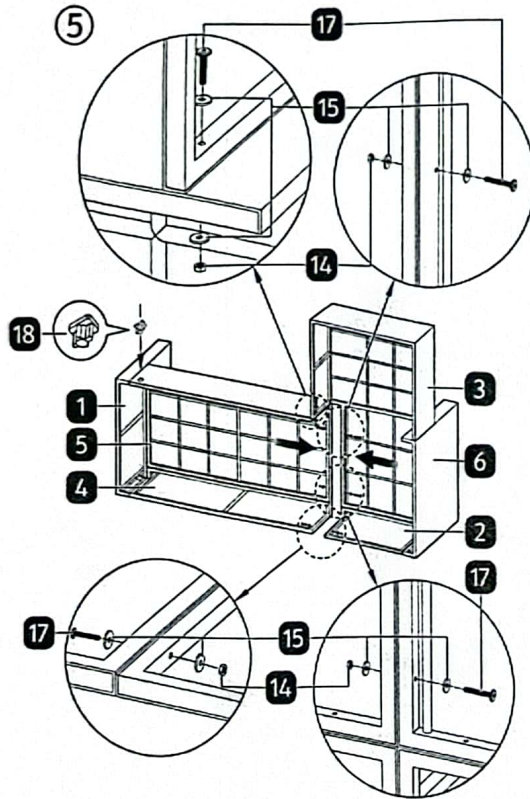
1+2	
<b>2</b>	x1
<b>3</b>	x1
<b>6</b>	x1
<b>17</b>	6 x 55, x6
<b>15</b>	x12
<b>14</b>	x6



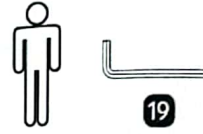
3+4	
<b>1</b>	x1
<b>4</b>	x1
<b>5</b>	x1
<b>18</b>	x1
<b>17</b>	6 x 55, x8
<b>15</b>	x16
<b>14</b>	x8



5+6+7	
17	6 x 55, x4
15	x8
14	x4
18	x1
7	x1
8	x1
9	x3
10	x2



### Assembly of the stool/table



1+2+3	
11	x1
12	x2
13	x1
16	6 x 30, x8
15	x8

